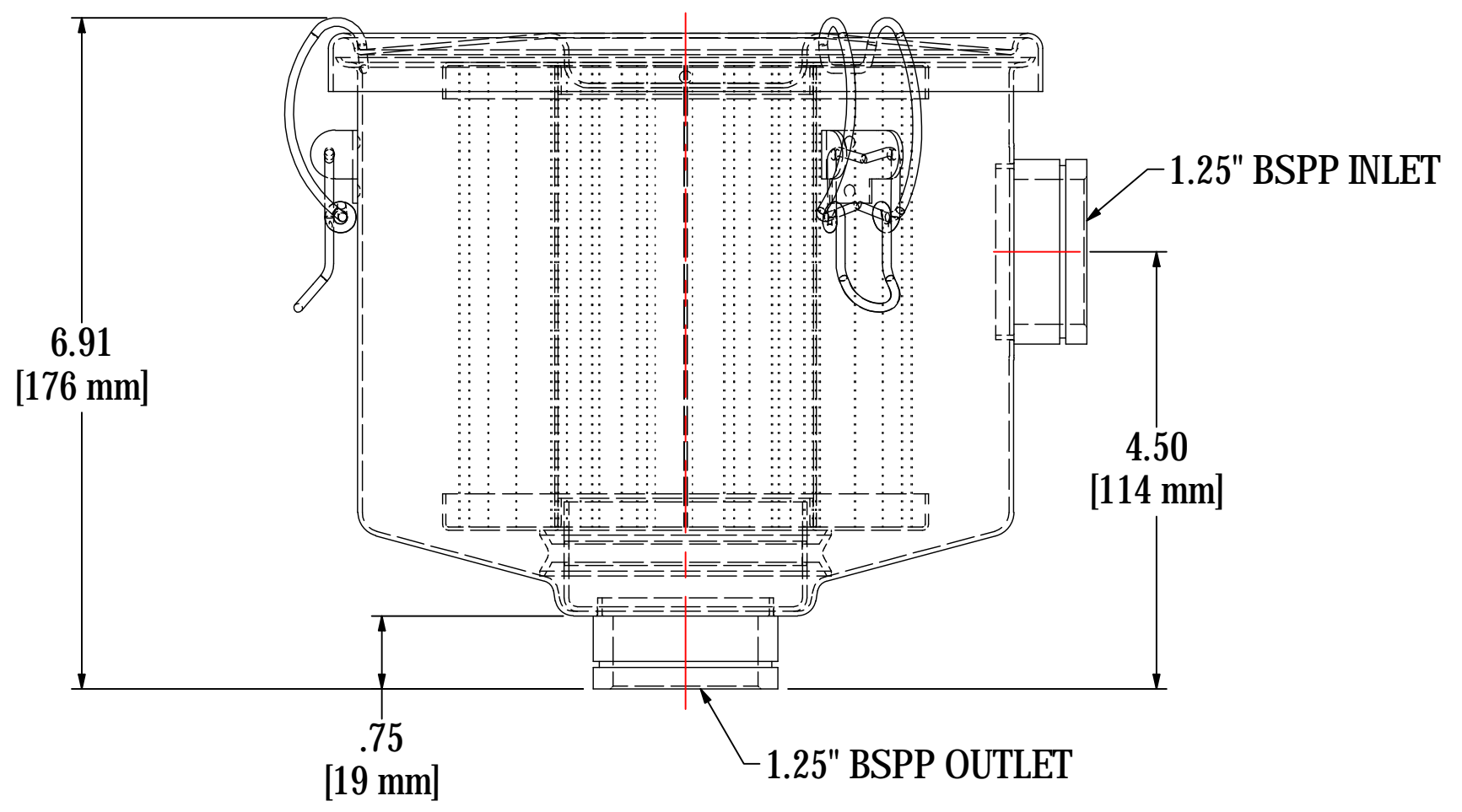
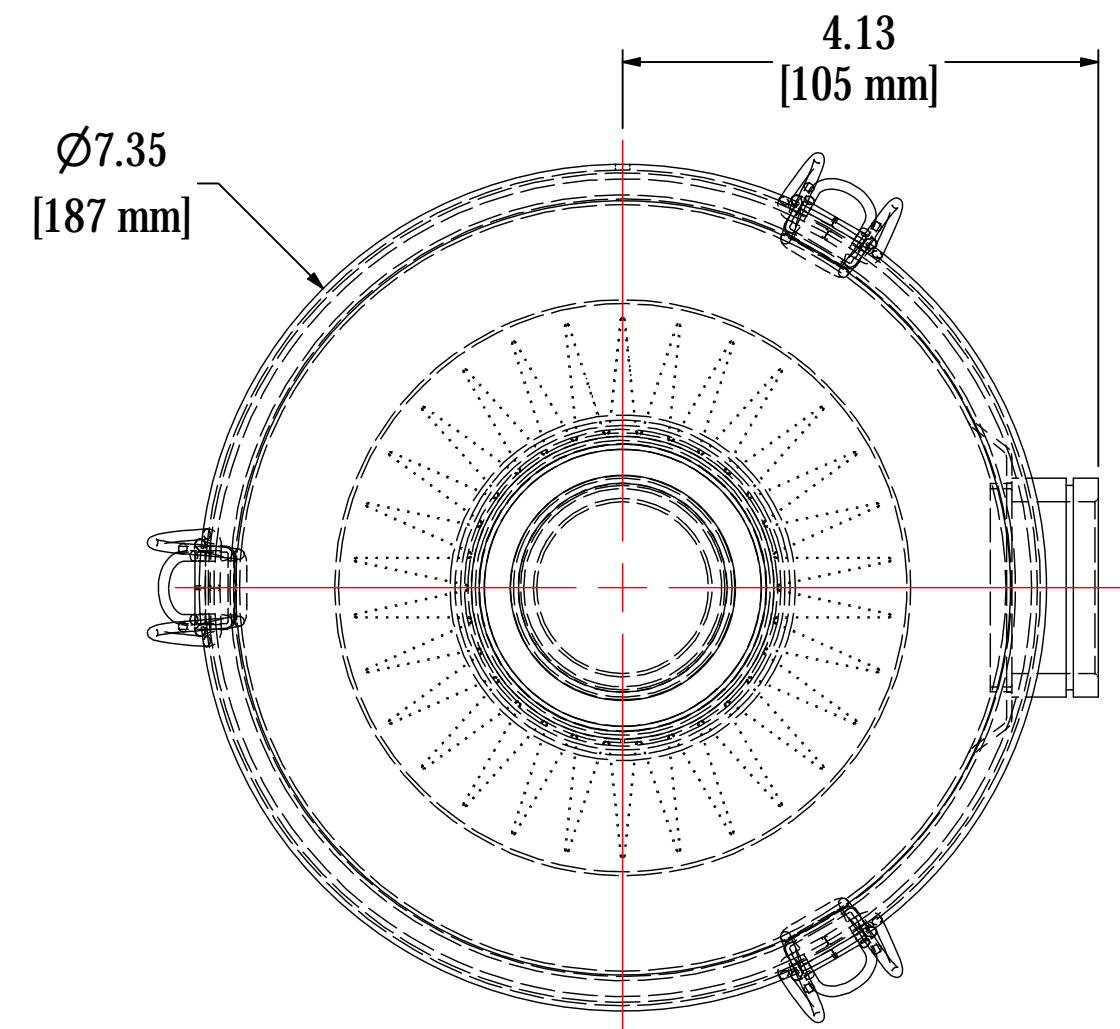


REV	DESCRIPTION	ECN #	CHG BY	DATE	APP'D
A	CONVERTED TO 3D	8773	DDH	10/5/2009	CRW
B	UPDATED TO NEW LAYOUT	WEB	NAD	10/01/19	TAS



ELEMENT SPECS		
PART NUMBER	849	
MATERIAL	POLYESTER	
FLOW RATE	115 CFM	196 m ³ /hr
SURFACE AREA	1.8 ft ²	0.2 m ²
I.D.	2.56"	65mm
O.D.	5.00"	127mm
HEIGHT	4.81"	122mm

MODEL #: CSL-849-126HCB	MATERIAL: CARBON STEEL	FINISH: BLACK POWDER
MODEL NUMBER: CSL-849-126HCB	SHEET: 1 OF 1	
DESCRIPTION: CSL-849-126HCB, BLACK		
PROJECT:	DRAWN BY: CRW DATE: 10/5/2009	APPROVED BY: M.C. DATE: 10/5/2009
		REV: A

SOLBERG[®]
Filtration • Separation • Silencing
 630.773.1363 • www.solbergmfg.com

THE INFORMATION CONTAINED HEREIN IS CONFIDENTIAL AND THE PROPERTY OF SOLBERG MANUFACTURING INC. AND IT IS FURNISHED TO YOU WITH THE EXPRESS UNDERSTANDING THAT IT WILL NOT BE REPRODUCED, COPIED IN ANY MANNER, LOANED OR OTHERWISE TRANSFERRED TO OTHERS ENTIRELY OR IN PART, NOR USED FOR ANY PURPOSE OTHER THAN FOR WHICH IT WAS FURNISHED. IT WILL BE RETURNED UPON REQUEST TO SOLBERG MANUFACTURING INC. THE ABOVE RESTRICTION IS IN ADDITION TO, AND DOES NOT IN ANY WAY ALTER, ANY OTHER RESTRICTIONS WHICH MAY APPLY TO THE INFORMATION CONTAINED HEREIN.

TOLERANCES
 DIMENSIONS ARE FOR REFERENCE ONLY. ALL DIMENSIONS ARE SUBJECT TO CHANGE UPON PRODUCTION.
 UNLESS OTHERWISE SPECIFIED:
 -DIMENSIONS ARE IN INCHES
 -REF: APPROXIMATE DIMENSIONS, NO TOLERANCES APPLY
 -FINISH: BREAK EDGES TO .005-.020 RADIUS/CHAMFER