

4

3

2

1

D

D

C

C

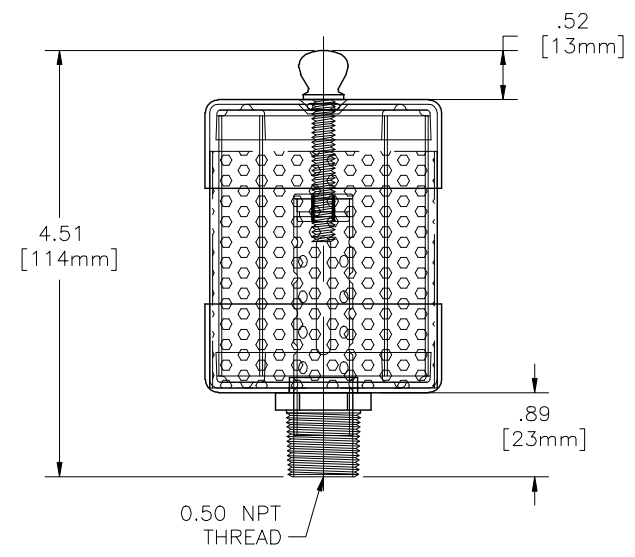
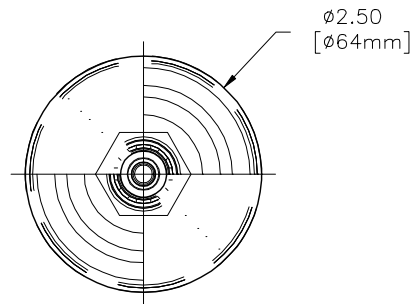
B

B

A

A

REVISIONS						
ZONE	REV	DESCRIPTION	ECN #	CHG BY	DATE	APP'D



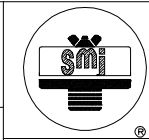
REPLACEMENT ELEMENT#	FG5
MATERIAL	COALESCING
CFM FLOW	4.5
SURFACE AREA	.15 SQ. FT.
I.D.	1.25
O.D.	2.25
HEIGHT	3.00

MODEL#	HOUSING MATERIAL	FINISH
EF-FG5-050	CARBON STEEL	NICKEL CHROME

The information contained herein is confidential and the property of Solberg Manufacturing Inc. and it is furnished to you with the expressed understanding that it will not be reproduced, copied in any manner, loaned or otherwise transferred to others entirely or in part, nor used for any purpose other than for which it was furnished. It will be returned upon request to Solberg Manufacturing Inc. The above restriction is in addition to, and does not in any way alter, any other restrictions which may apply to the information contained herein. The Illinois Circuit Court, Cook County Division has exclusive jurisdiction over any prosecution that may be necessary to uphold these restrictions.

UNLESS OTHERWISE SPECIFIED:  
 -DIMENSIONS ARE IN INCHES  
 -REF: APPROXIMATE DIMENSIONS, NO TOLERANCES APPLY  
 -TOLERANCES ARE:  
 DECIMALS: .XX ±.25  
 .XXX ±.125  
 ANGLES: ±2'

CUSTOMER APPROVAL:



SOLBERG MANUFACTURING INC.  
 1151 W. ARDMORE AVE.  
 ITASCA, IL 60143  
 630/773-1363

DESCRIPTION:  
 EF-FG5-050

SHEET: 1 of 1 SHEET C SCALE: NTS  
 DRAWING NUMBER: SD10327 REV: —

SALES REP.:	DATE
APPROVALS	DATE
DRAWN:	DATE
ABL	07/10/07
APPROVED:	

4

3

2

1